

EzePorch.com

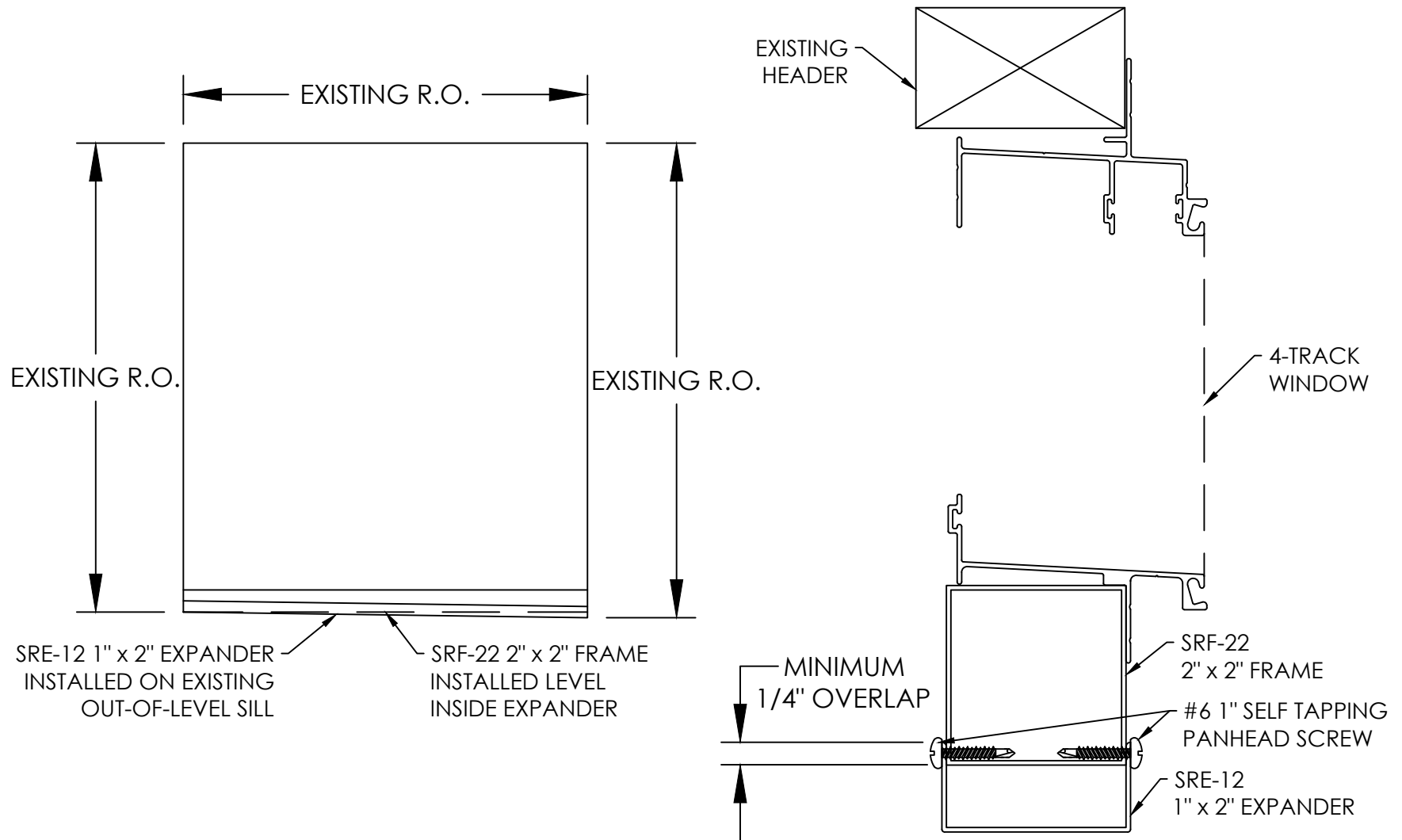
(800) 264-4393

Fax (888) 846-4143

info@ezeporch.com

ARCHITECTURAL PACK

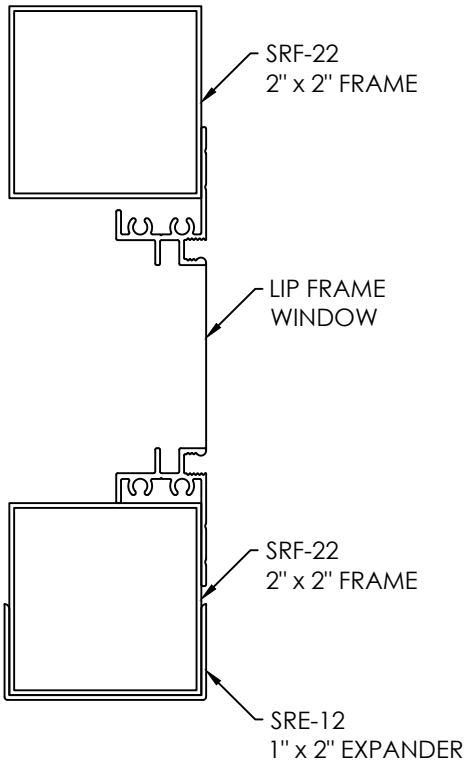
SILL LEVELING w/ PRC



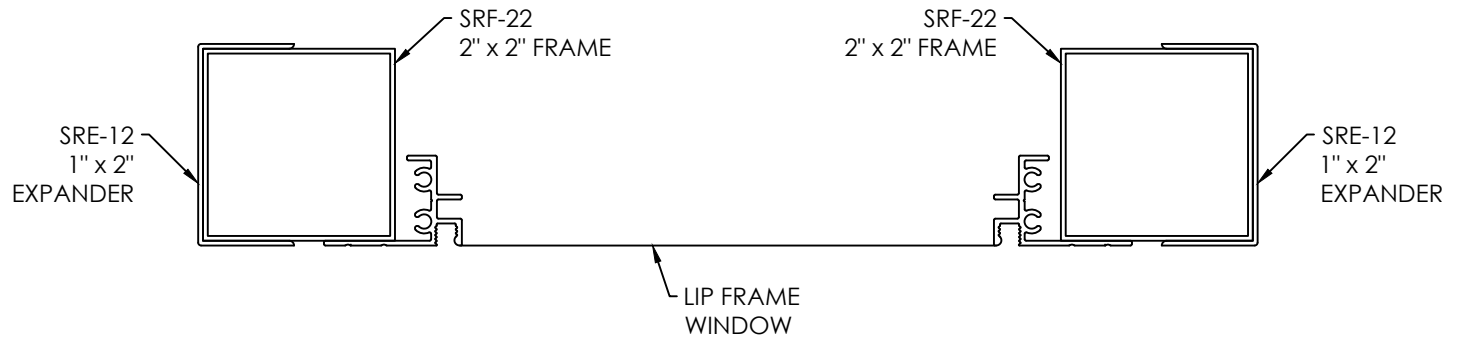
NOTE: THIS METHOD / MATERIAL COMBINATION CAN BE USED TO LEVEL HEADERS
OR TO PLUMB POSTS AS NEEDED IN ANY VERTICAL OR HORIZONTAL ORIENTATION

PRC w/ LIP FRAME

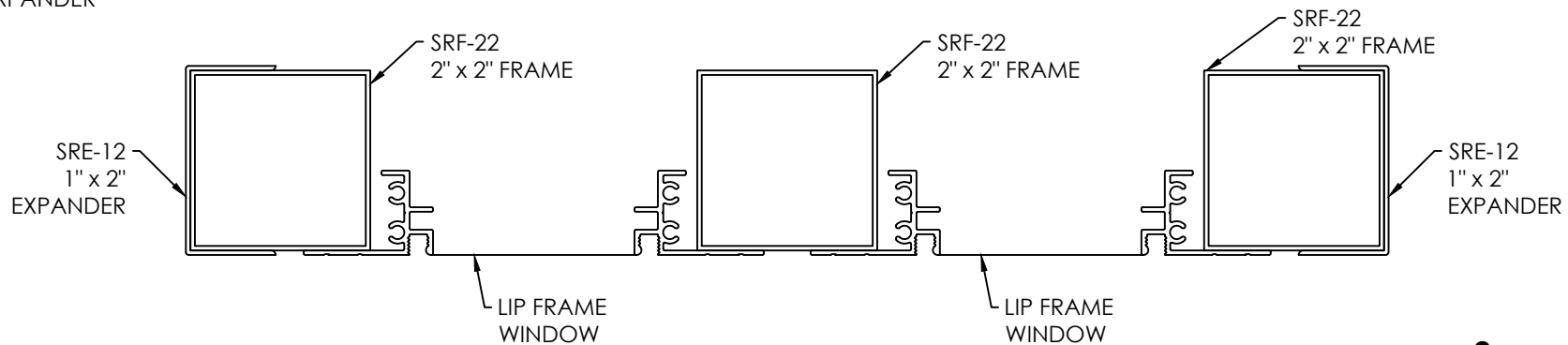
Vertical



Horizontal 1 window

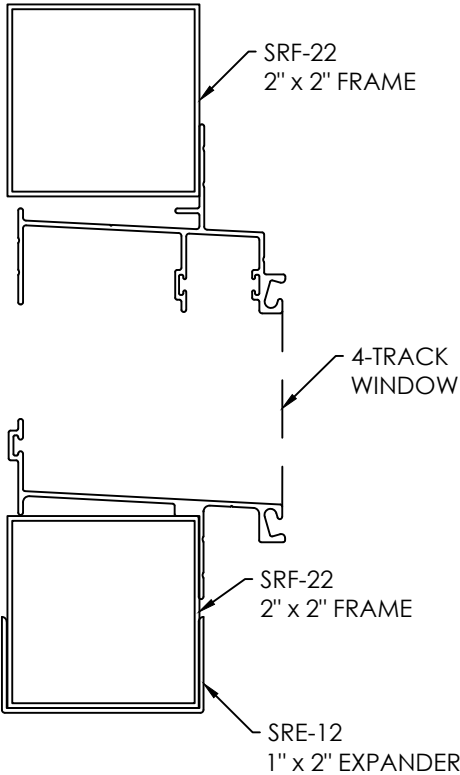


2 or more windows (Twin/Triple Pack)

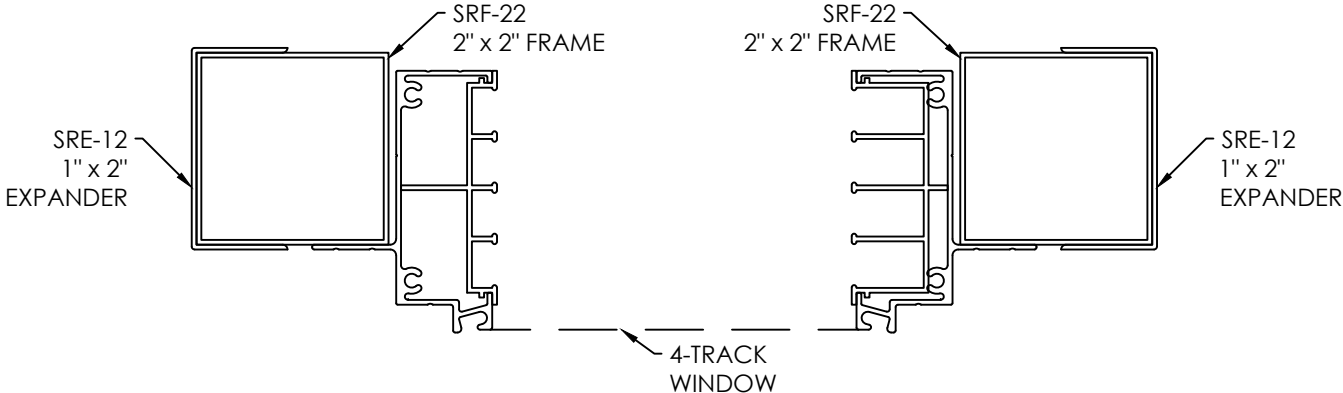


PRC w/ 4-TRACK FRAME

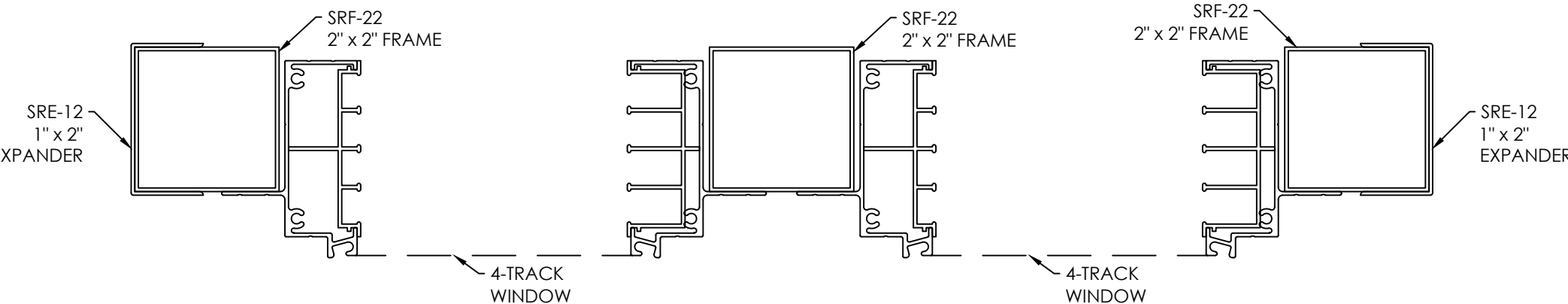
Vertical



Horizontal 1 window



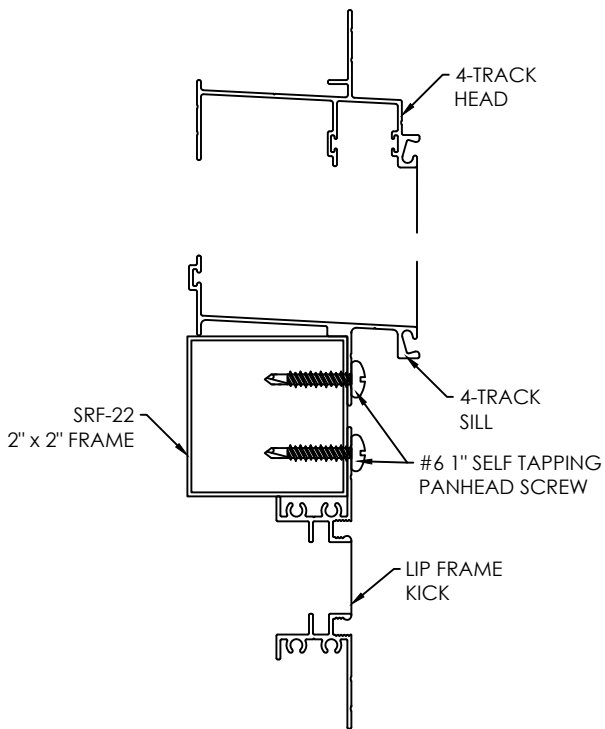
2 or more windows (Twin/Triple Pack)



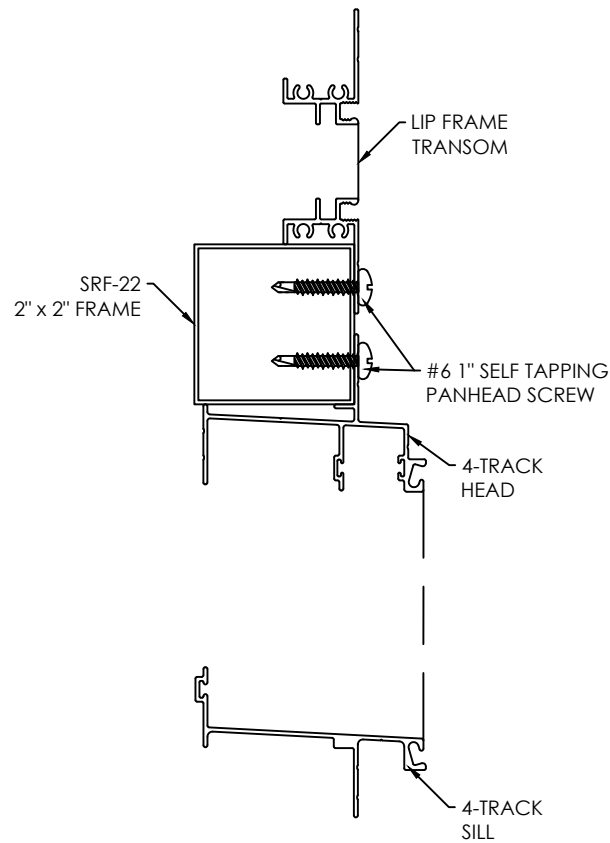
MULLED UNIT ASSEMBLIES

Vertical sections

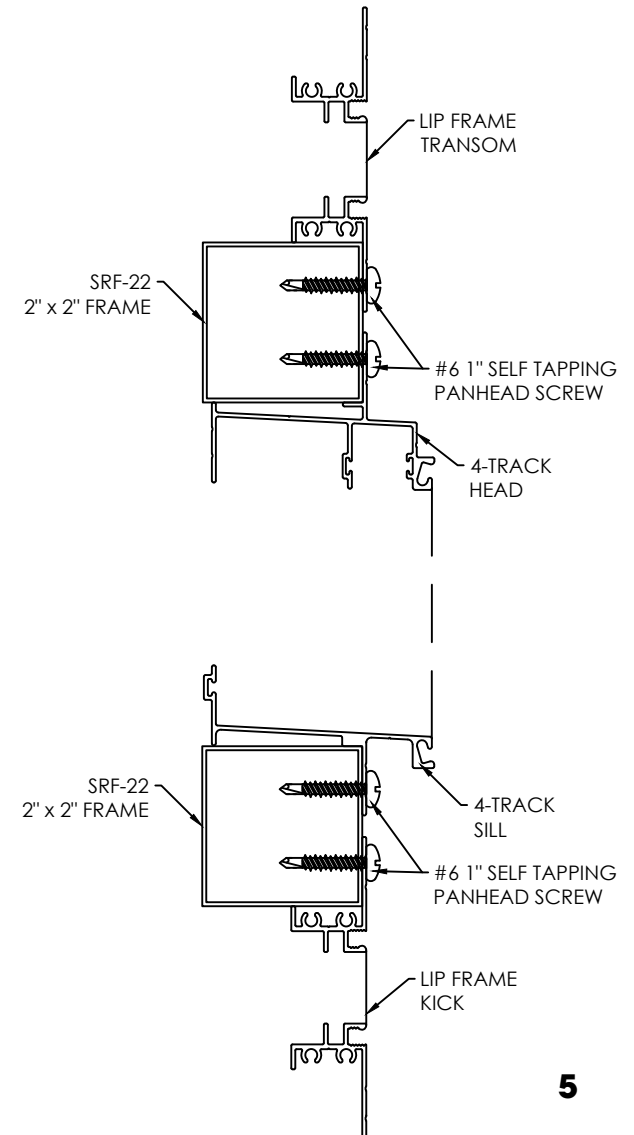
Operable window
w/ mulled kick



Operable window
w/ mulled transom



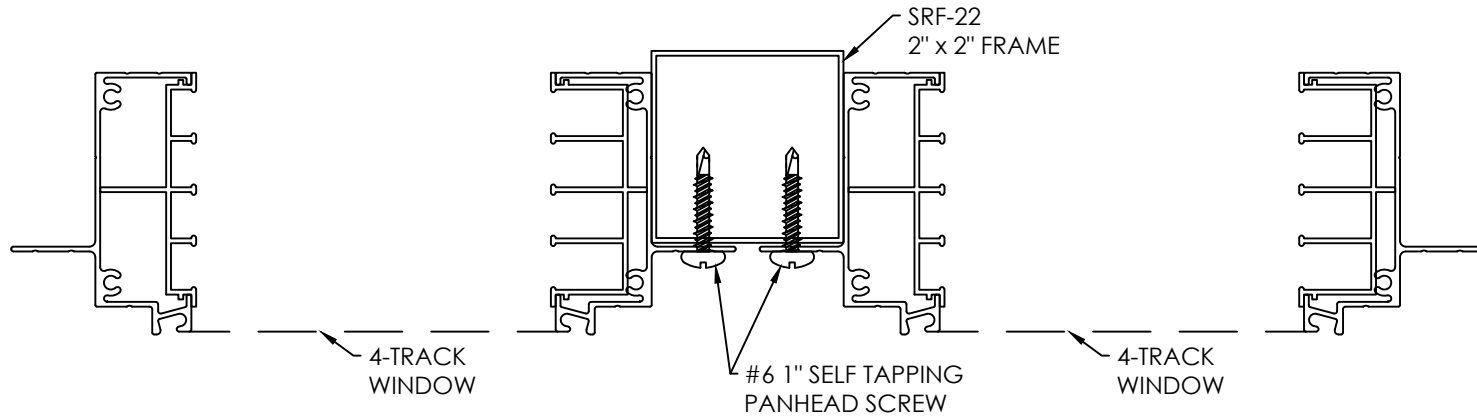
Operable window w/ mulled kick
and mulled transom



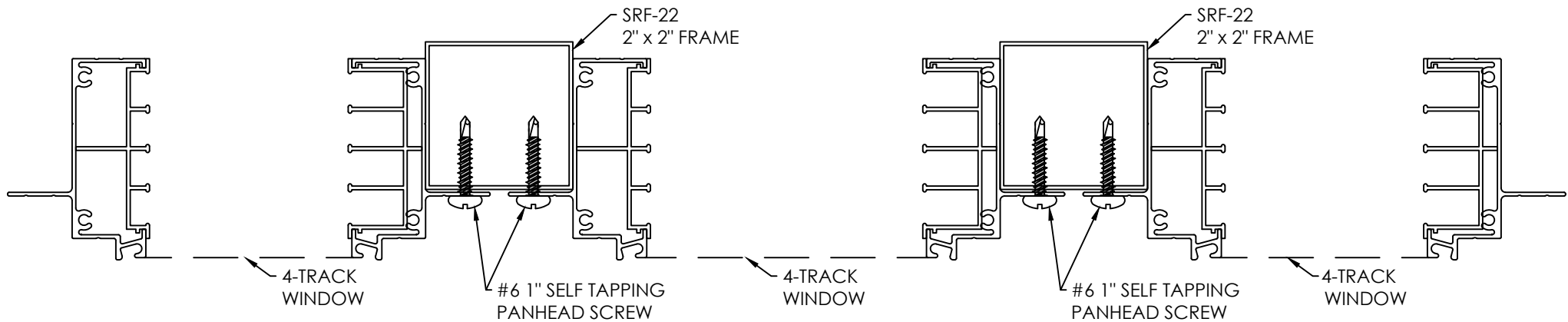
MULLED UNIT ASSEMBLIES

Horizontal sections

Twin Pack

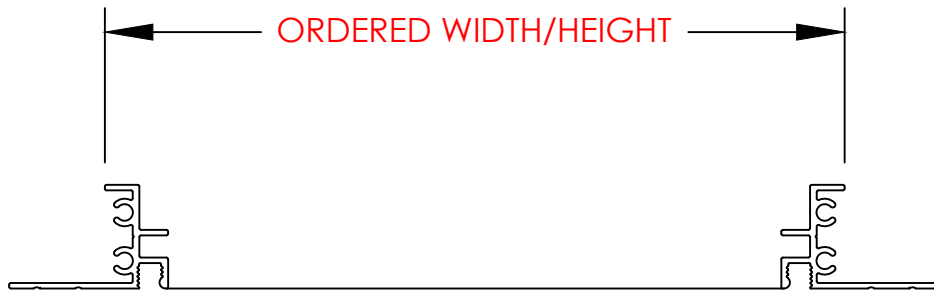


Triple Pack

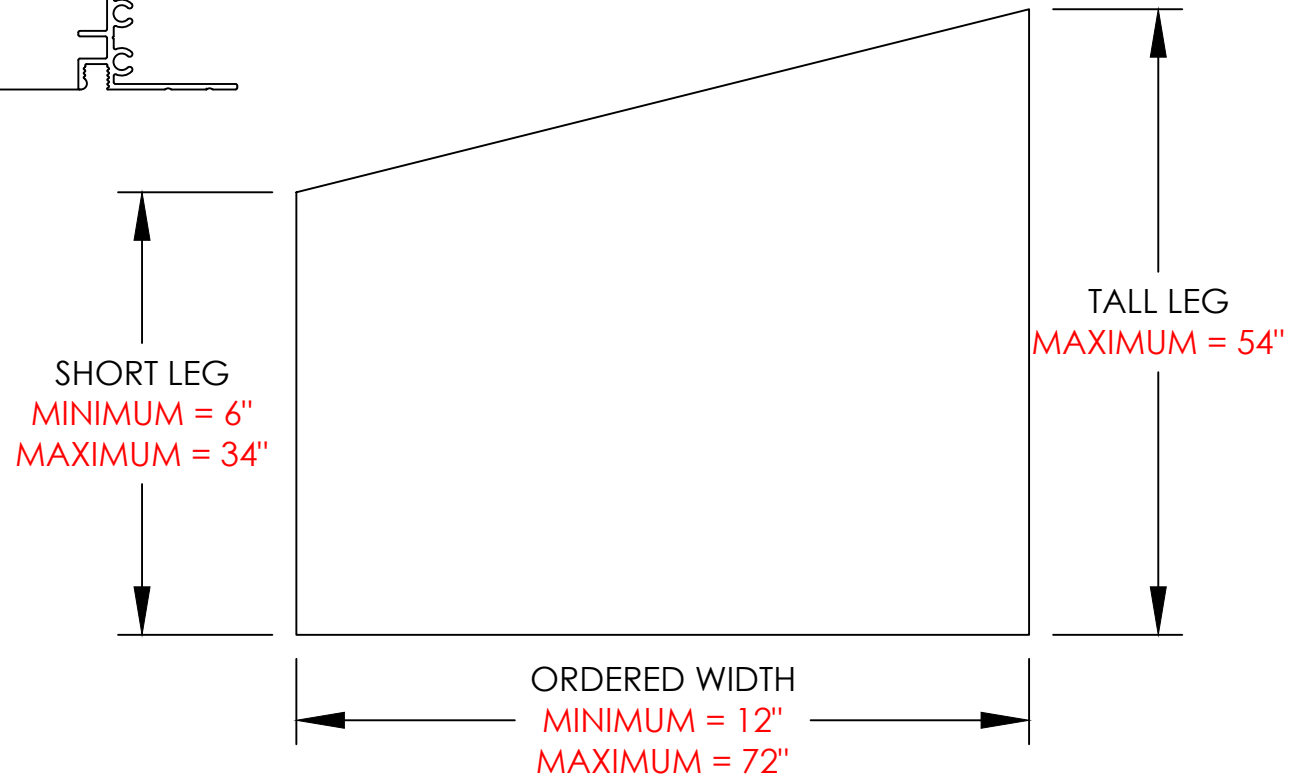


LIP FRAME DETAILS

Window section



Trap details



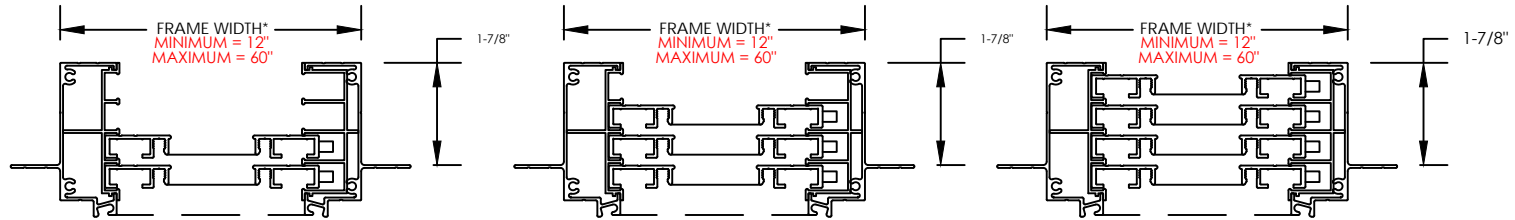
ORDERED FRAME SIZE*

FLEXIGLASS VINYL:
 MINIMUM = 6" W x 6" H
 MAXIMUM = 52" W x 96" H
 NOTE: SOME ORDERED SIZES
 MAY REQUIRE SPREADER BARS

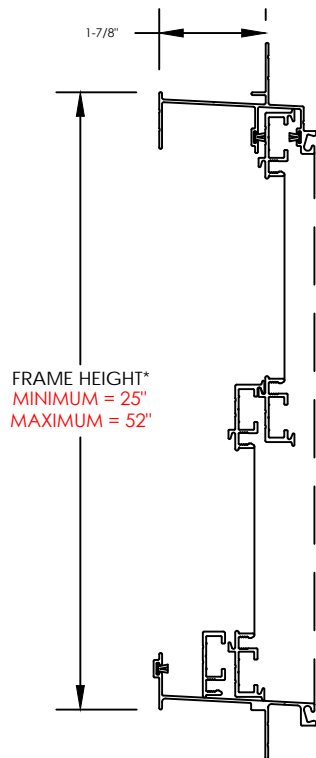
* A spreader bar will automatically be added for a Lip Frame window over 42" in width and a Lip Frame Trapezoid over 30" in width. Under either width is optional.

2/3/4-Track Window Sections

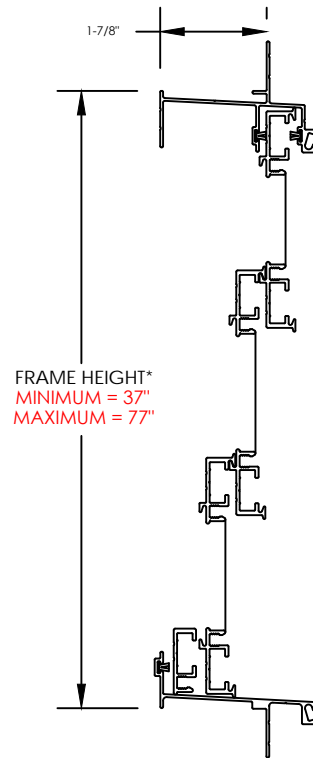
Horizontal sections



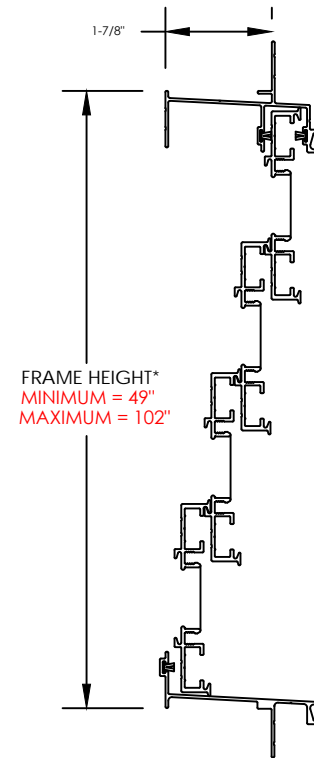
Vertical sections



2-TRACKS 25"-28" HIGH
GET 1 SPRING PER SASH



3-TRACKS 37"-41" HIGH
GET 1 SPRING PER SASH



4-TRACKS 49"-54" HIGH
GET 1 SPRING PER SASH

SASHES UNDER 14" HIGH GET 1 SPRING. SASHES 14" OR HIGHER GET 2 SPRINGS.

*FRAME WIDTH/HEIGHT = MANUFACTURED SIZE.

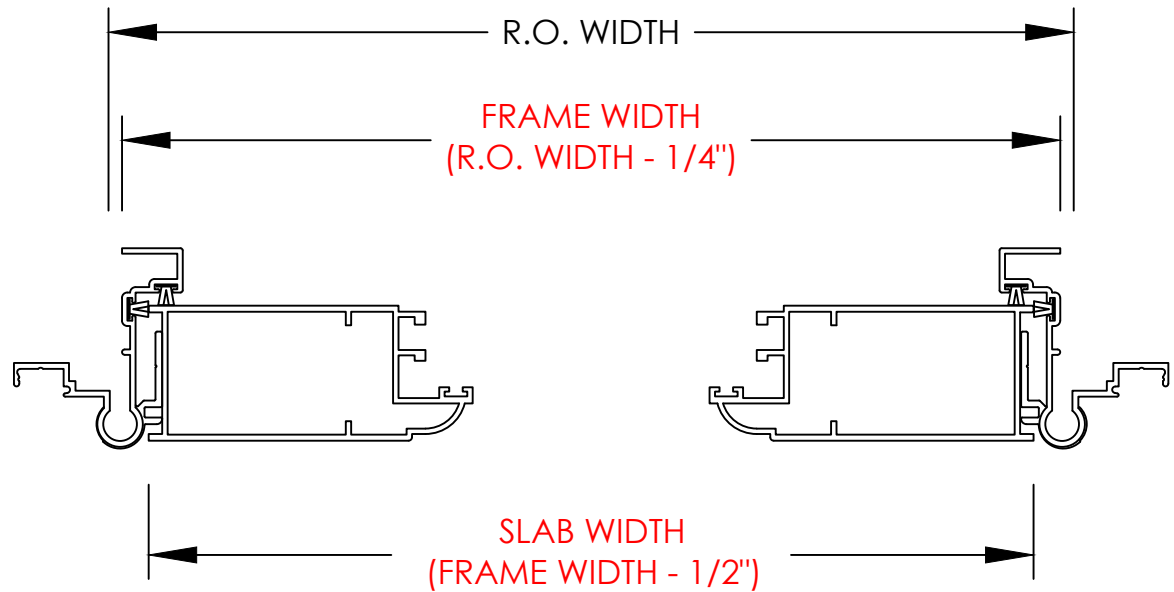
Single Door Sections

ORDERED FRAME SIZE

MINIMUM = 30" W x 72" H

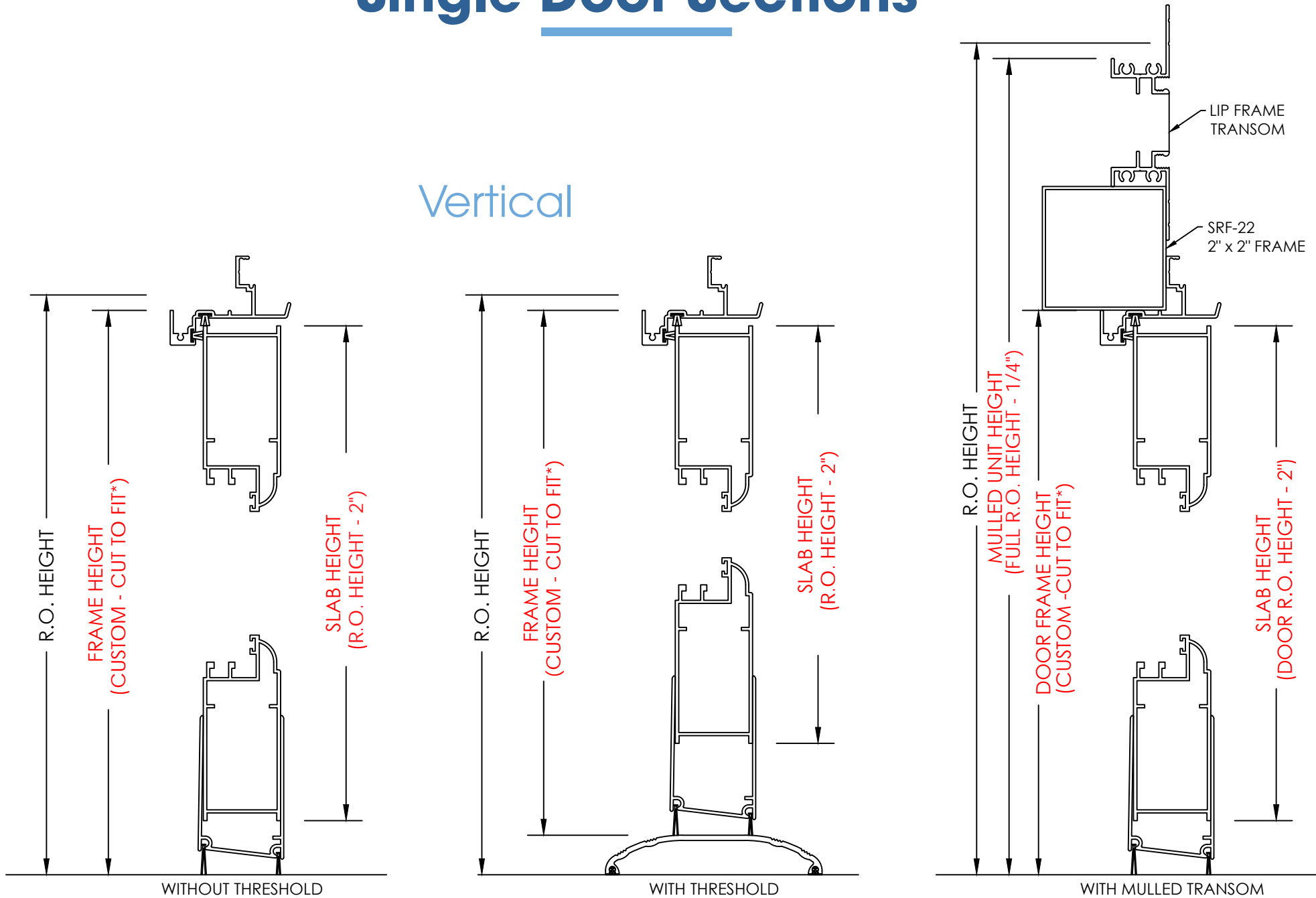
MAXIMUM = 42" W x 96" H

Horizontal



Single Door Sections

Vertical

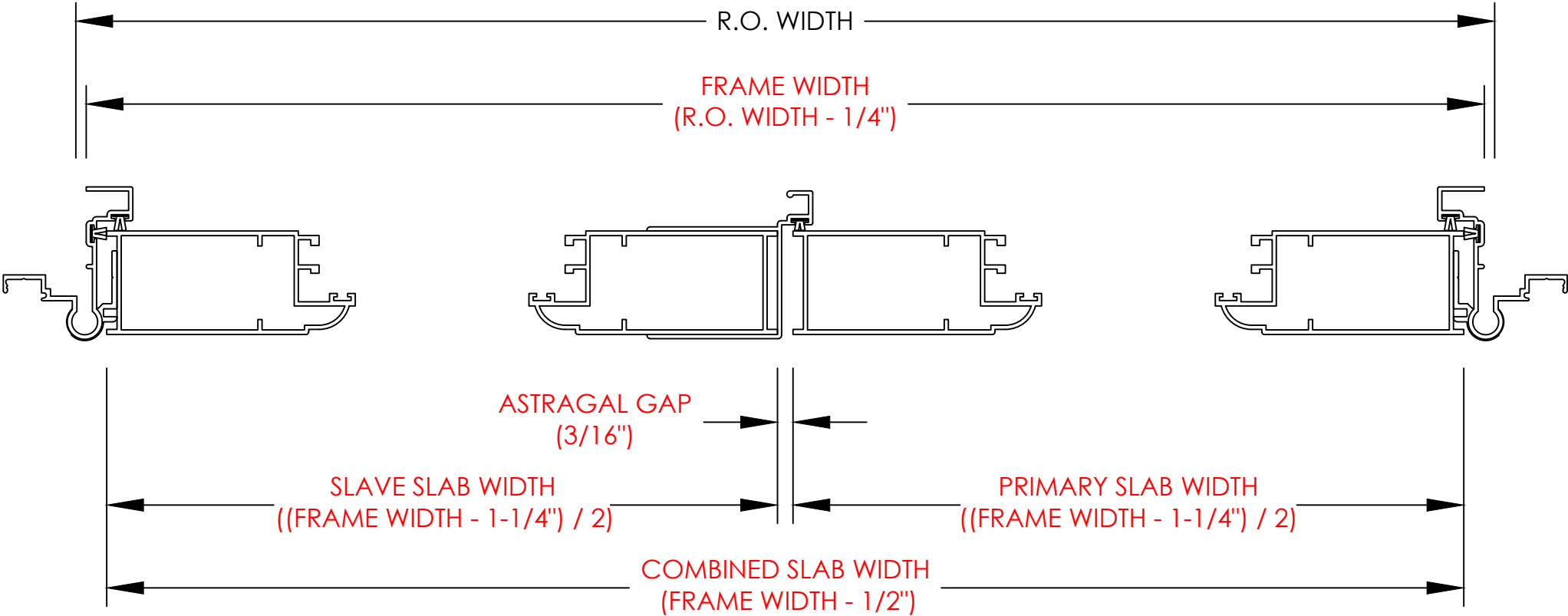


*FRAME SIDES ARE SENT 1-1/4" LONGER THAN THE DOOR R.O. HEIGHT AND ARE CUT TO FIT ON SITE.

French Door Sections

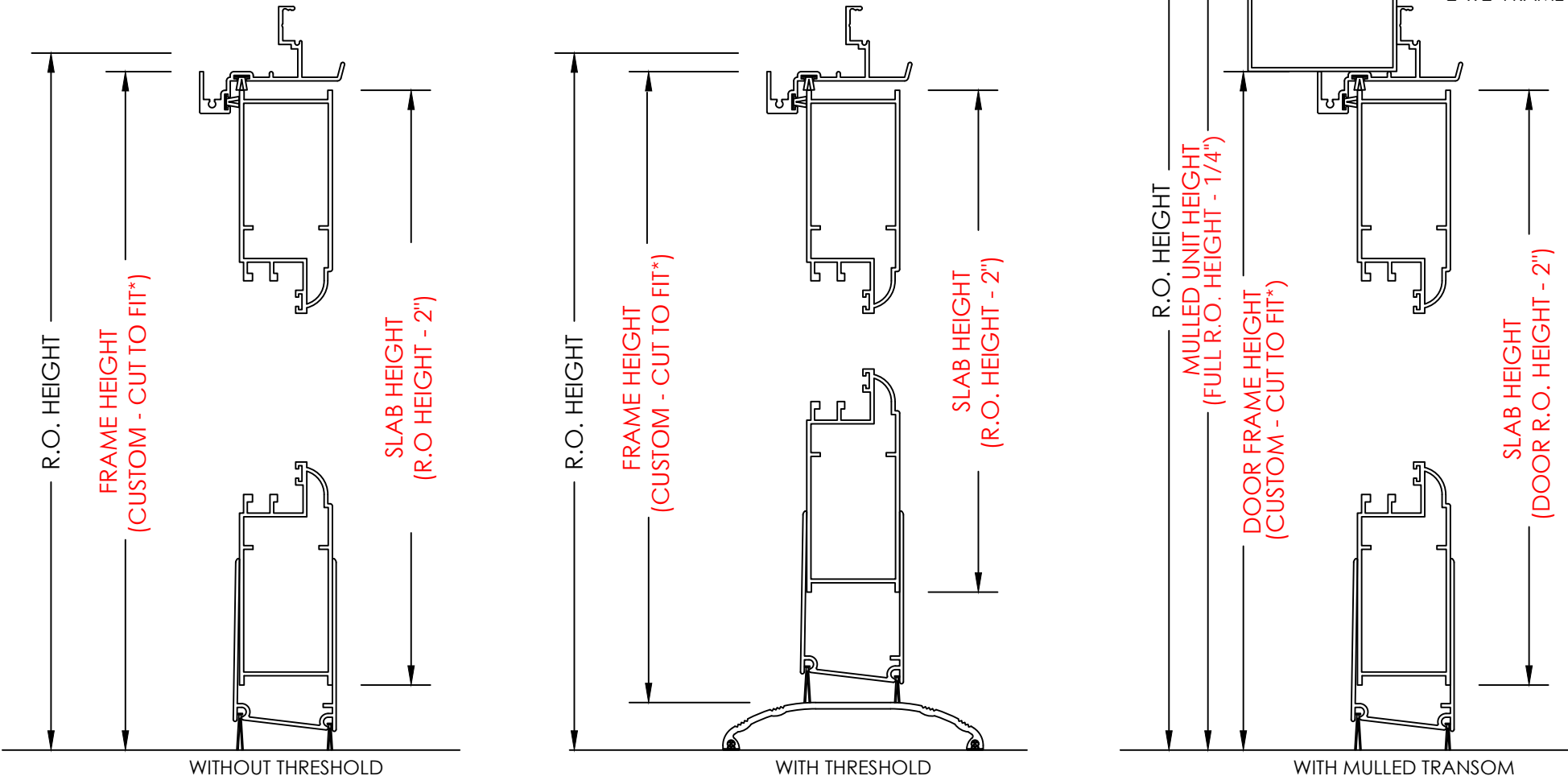
ORDERED FRAME SIZE
MINIMUM = 60" W x 72" H
MAXIMUM = 84" W x 96" H

Horizontal



French Door Sections

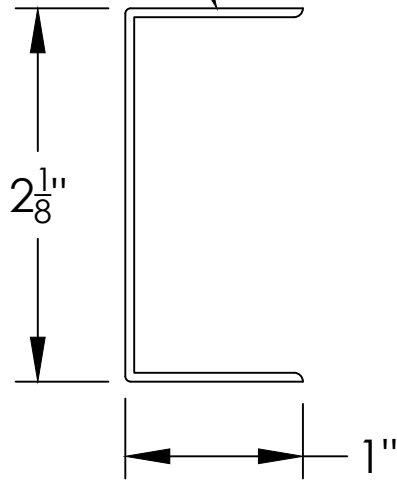
Vertical



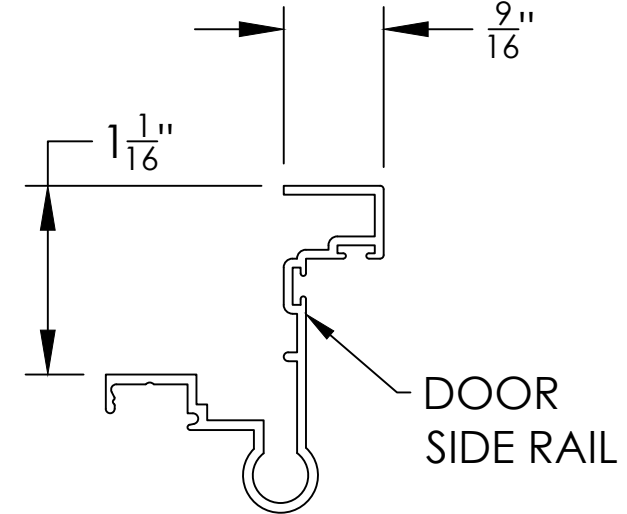
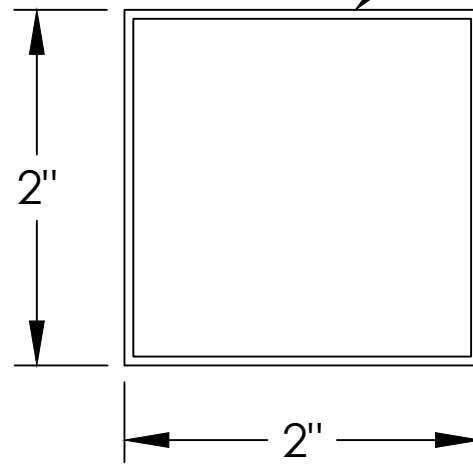
*FRAME SIDES ARE SENT 1-1/4" LONGER THAN THE DOOR R.O. HEIGHT AND ARE CUT TO FIT ON SITE.

Profile Details

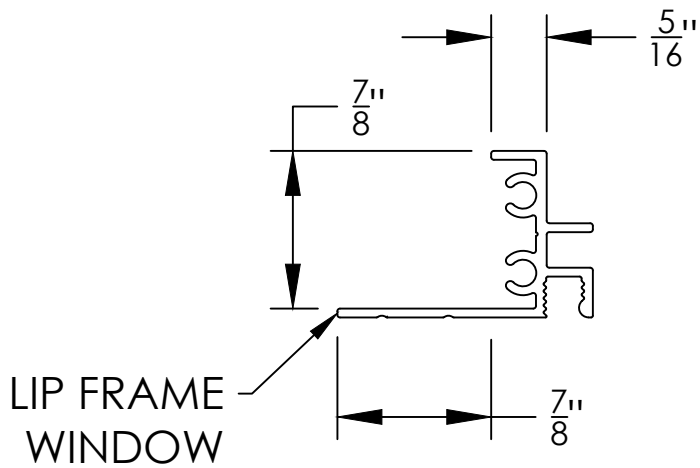
SRE-12
1" x 2" EXPANDER



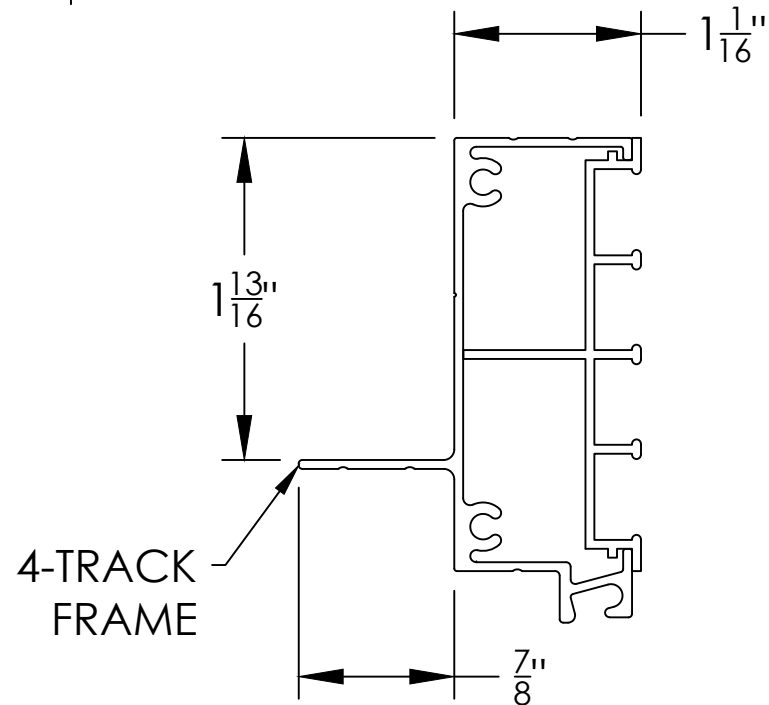
SRF-22
2" x 2" FRAME



DOOR
SIDE RAIL

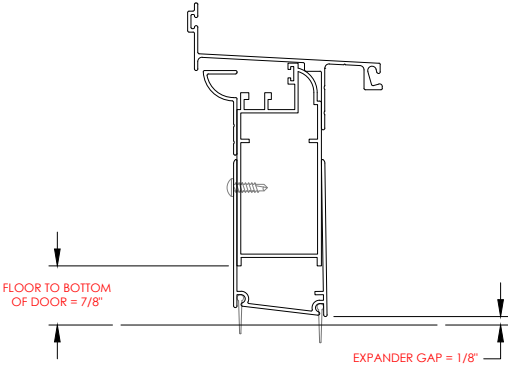
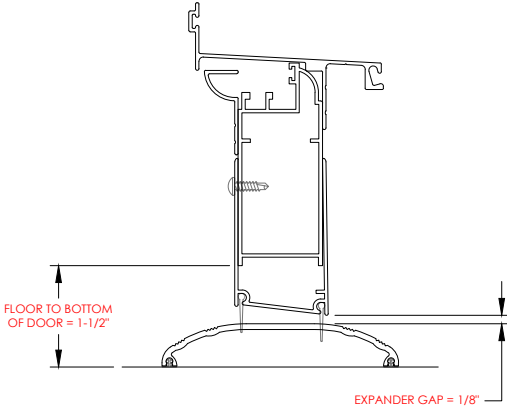
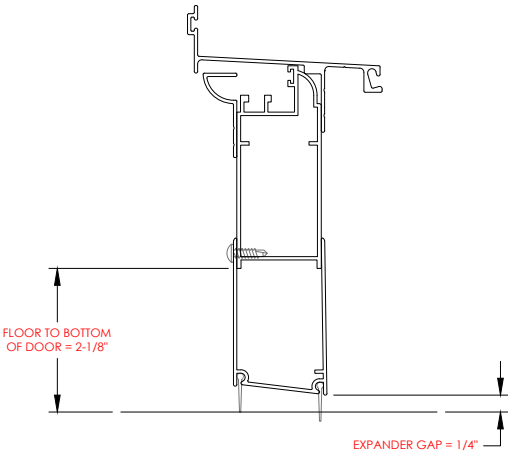
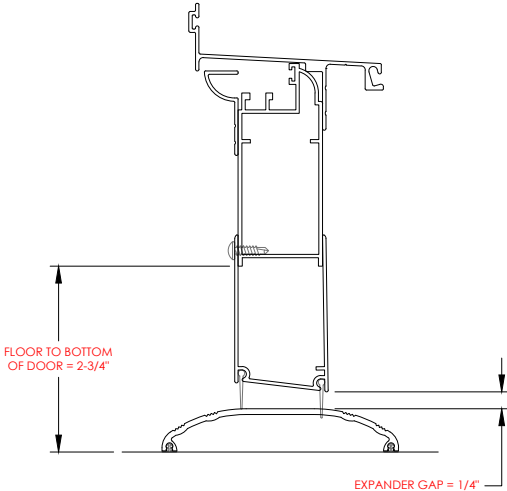


LIP FRAME
WINDOW



4-TRACK
FRAME

Standard 80" Door Rough Opening Height Range

	WITHOUT THRESHOLD	WITH THRESHOLD
MINIMUM R.O.	 <p>FLOOR TO BOTTOM OF DOOR = 7/8"</p> <p>EXPANDER GAP = 1/8"</p> <p>79 1/8" HIGH R.O.</p>	 <p>FLOOR TO BOTTOM OF DOOR = 1-1/2"</p> <p>EXPANDER GAP = 1/8"</p> <p>79 3/4" HIGH R.O.</p>
MAXIMUM R.O.	 <p>FLOOR TO BOTTOM OF DOOR = 2-1/8"</p> <p>EXPANDER GAP = 1/4"</p> <p>80 3/8" HIGH R.O.</p>	 <p>FLOOR TO BOTTOM OF DOOR = 2-3/4"</p> <p>EXPANDER GAP = 1/4"</p> <p>81" HIGH R.O.</p>

NOTE: MINIMUM R.O.'S MAY BE REDUCED BY 3/8" BY MODIFYING THE INSTALLATION OF THE EXPANDER CONTACT TECHNICAL DIRECTOR AT 419-866-7705 EXT. 1033 WITH QUESTIONS.

PRC WALL LAYOUTS

